

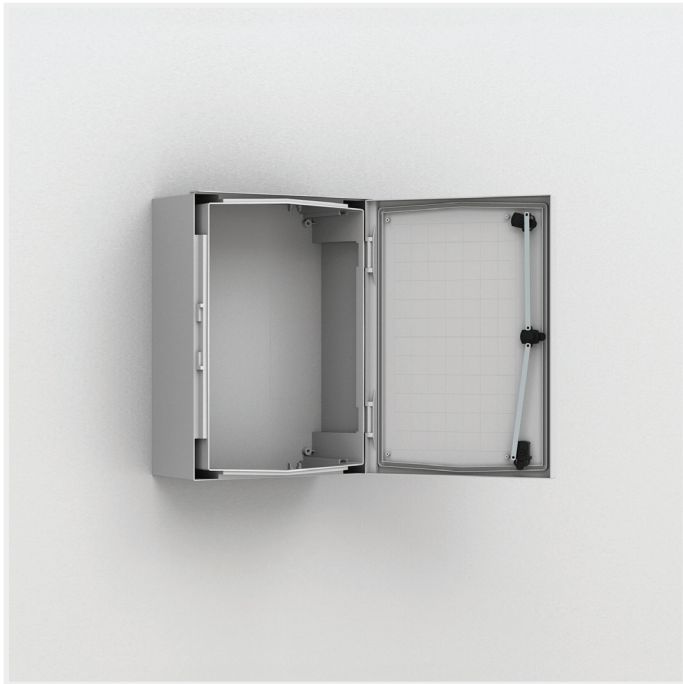
UCP/UCPT

Polyester Compact Wall Mounted Enclosures

nVent

HOFFMAN

CONNECT AND PROTECT



IP 66 | TYPE 4, 4X, 12, 13 | IK 08 / 07



The polyester single door compact wall mounted enclosure range, UCP/UCPT, with a IP 66 protection degree, is available off the shelf in many different sizes. Either a plain door or transparent door can be ordered. This enclosure range is well suited for outdoor installations, even when exposed to direct sunlight. The risk for component failure, and with that unnecessary downtime, is eliminated as water and dust are prevented from entering the enclosure.

Material: Fibre-glass reinforced polyester.
UCPT viewing area: polycarbonate.

Body: Monoblock moulded 3 mm thick. Four holes for direct wall fixing. Without gland plate openings.

Door: Door, with or without window and 180° opening. For UCP/UCPT750 and above, a door support is supplied for easier closing. Sealing is by an injected one piece polyurethane gasket.

Lock: Double-bit 3 mm insert and 90° movement. UCP/UCPT540 and above have three locking points. Other locks are available as an accessory.

Temperature resistance: -25 °C to 70 °C in continuous use (peak temperatures up to 130 °C).

Characteristics: Self extinguishing and halogen free. Double insulated, according to EN61439-1. Rated insulation voltage Ui=1000V.

Protection: IP 66 | TYPE 4, 4X, 12, 13 and IP 65 only for UCPT430. Impact resistance IK 08 (IK 07 for enclosures with transparent door).

Approvals: CE, GOST. CSA and cULus_UL Listed approvals apply to plain door enclosures only. For further approvals, please contact nVent HOFFMAN's sales department.

Finish: RAL 7035, precoloured raw material.

Delivery: Enclosure with door, fixing screws for the mounting plate and a self adhesive rain strip.

Note: UCP320, UCP430 and UCP540 are delivered with the doors inside the packaging, unmounted.

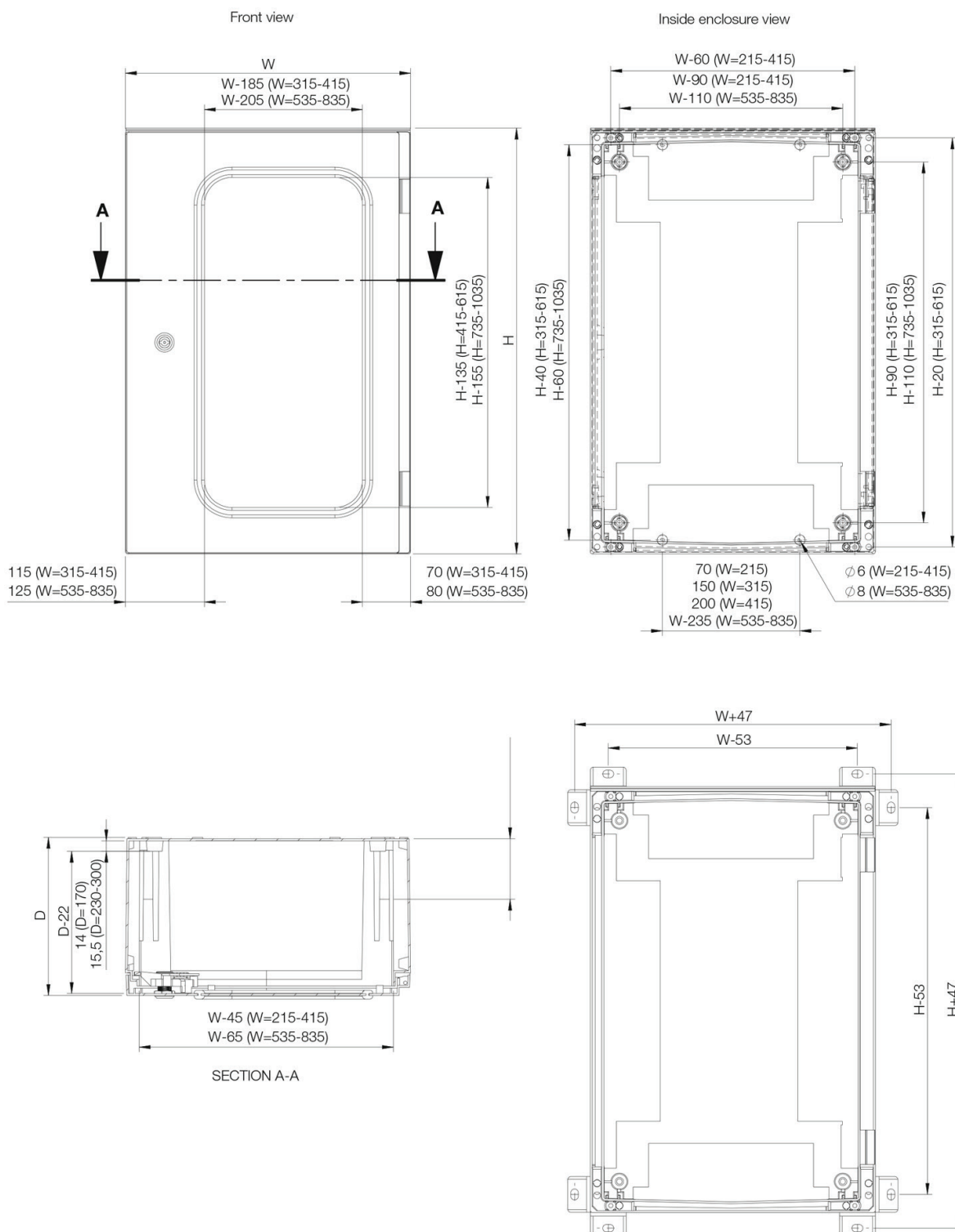
UCP/UCPT

Polyester Compact Wall Mounted Enclosures



HOFFMAN

CONNECT AND PROTECT



Plain door

H	W	D	N° of locking points	Item no.
315	215	170	1	UCP320
415	315	170	1	UCP430
515	415	230	3	UCP540
615	415	230	3	UCP640
735	535	270	3	UCP750
835	635	300	3	UCP860
1035	835	300	3	UCP1080

Transparent door

H	W	D	N° of locking points	Item no.
415	315	170	1	UCPT430
515	415	230	3	UCPT540
615	415	230	3	UCPT640
735	535	270	3	UCPT750
835	635	300	3	UCPT860
1035	835	300	3	UCPT1080

UCP/UCPT

Polyester Compact Wall Mounted Enclosures



CONNECT AND PROTECT